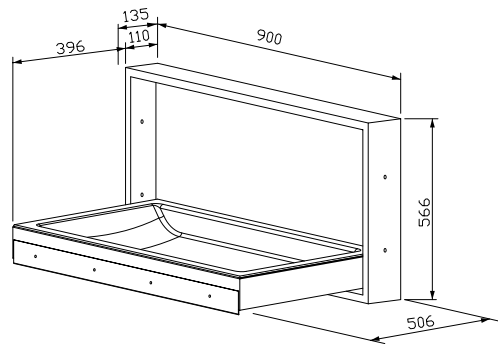
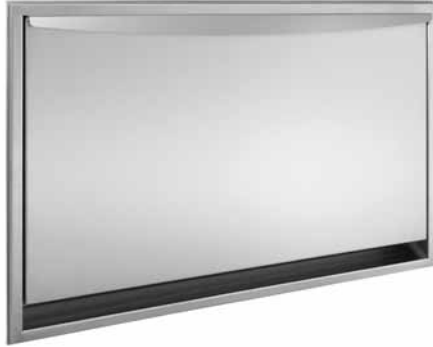


Nappy changer in stainless steel



- Full metal housing in robust, easy-to-clean stainless steel AISI 304, satin finished. Handle strip with glossy surface IIID, all corners fully welded.
- Fold down table easy to open and close with assistance from a maintenance free, pneumatic cylinder.
- Table surface made of grey Polypropylene, molded, without any visible fixtures, changeable.
- Supporting weight up to 15 kg.
- TÜV proved and certified.
- Easy to clean due to optimum accessibility.
- Simple mounting: insert in wall opening and secure in place; for installation in lightweight partition walls, create opening and provide some means of securing at the sides.
- Recess dimensions 902 x 568 x 110 mm
- Also available on request with other surfaces.

Suggested text for specifications:

Nappy changer in stainless steel AISI 304 for flush-mounting, satin finished and glossy surface IIID. Table surface to foldout, molded made of Polypropylene. Supporting weight up to 15 kg. TÜV certified.

Dimensions 900 x 566 x 135 mm; includes mounting components.

Article No. WP 2010

